


PRODUCT SHEET

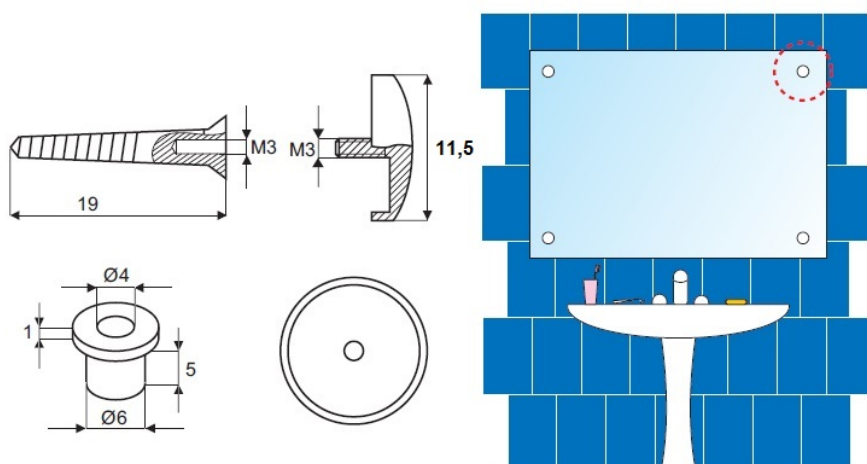
Description:

Mirror Screw $\varnothing 4 \times 19 \text{mm}$ -Steel NPL, Cap $\varnothing 11,5 \text{mm}$ -Brass CPL

Item number:

22.05.140-0

Units	Box	Carton	HS Code	Barcode
Pcs.	4	1600	7318149199	
				5704866080989



SISO A/S

Mileparken 11
DK-2740 Skovlunde
Denmark
VAT: DK 24786013

Phone +45 45 830 900

www.siso.dk
siso@siso.dk

Danske Bank
Nytorv Branch
Copenhagen
SWIFT: DABADKKK

Account no.
4180 3112 112936
IBAN Account
DK7230003112112936